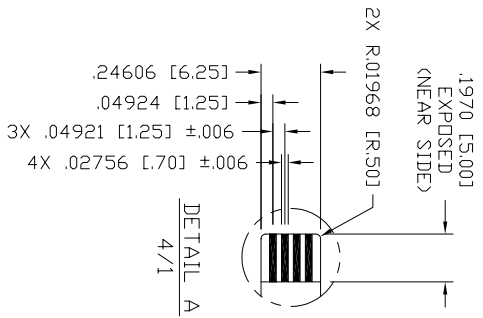
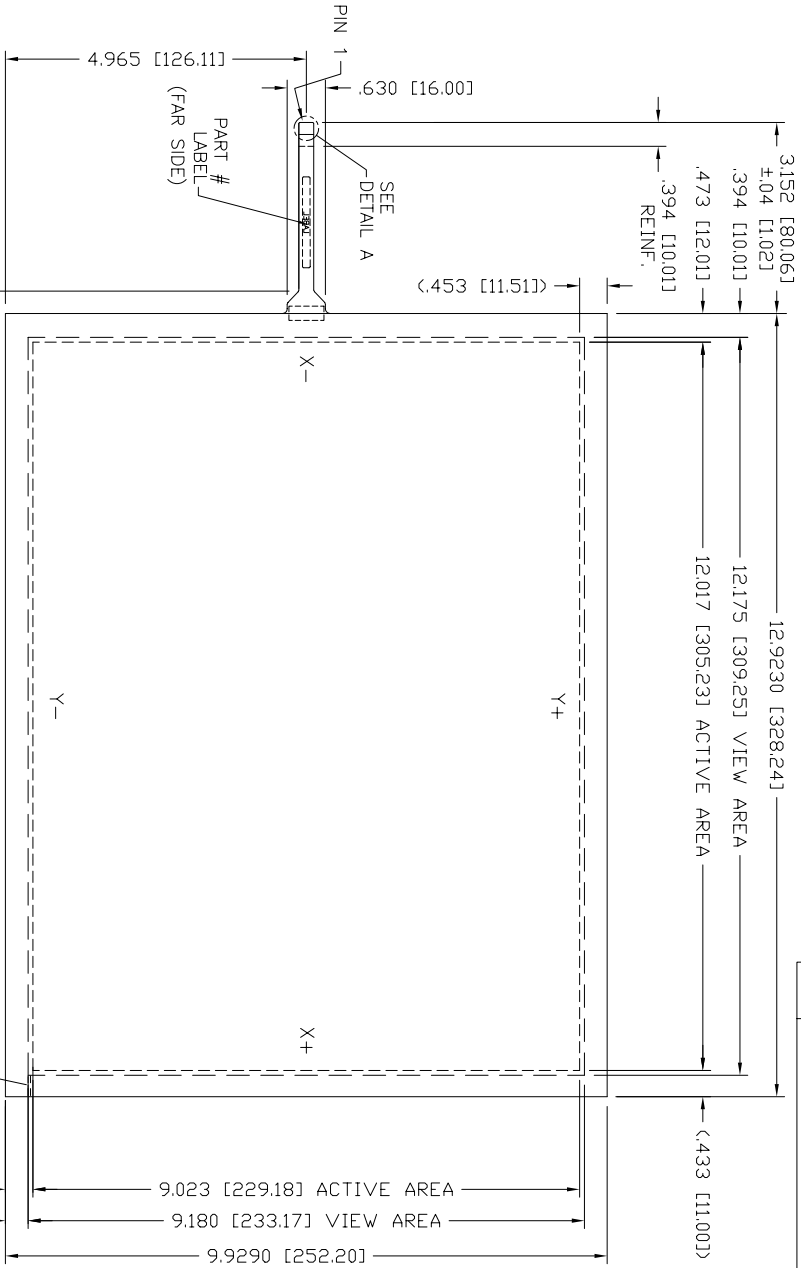


REV	DESCRIPTION	ECD #	DFT	CHK	ENG	DATE
ADDED LABELING SPECIFICATIONS (NOTE 6)			MA			12/7/07



PINOUT	PIN	DESCRIP
Y-	4	Y-
X+	3	X+
Y+	2	Y+
X-	1	X-

QTY	ITEM NO	PART NUMBER	DESCRIPTION
1	5		TAIL STRAIN RELIEF
1	4		TOPSHEET SUBASSY (AG)
1	3		TAIL SUBASSY
1	2		GASKET SUBASSY
1	1		BOTTOMSHEET SUBASSY

FINISHED PART #	DO NOT SCALE DRAWING!	UNLESS OTHERWISE SPECIFIED, DIMENSIONS ARE IN INCHES. REMOVE ALL BURRS AND BREAK SHARP EDGES. DEC. TOLERANCE:
	XX = ±.060 UNO	FRACTIONAL TOL. X/X = ±1/16
	XXX = ±.020 UNO	ANGULAR TOL. = ±1°
	XXXX = ±.012 UNO	
	XXXXX = ±.008 UNO	

**NOTICE OF PROPRIETARY RIGHTS**  
 THIS DOCUMENT, AND THE INFORMATION IT CONTAINS, IS PROPRIETARY TO TOUCH INTERNATIONAL. IT MUST NOT BE DUPLICATED, OR ITS CONTENTS USED OR DISCLOSED (IN WHOLE OR IN PART) WITHOUT WRITTEN PERMISSION FROM TOUCH INTERNATIONAL.

**DO NOT SCALE DRAWING!**  
 UNLESS OTHERWISE SPECIFIED, DIMENSIONS ARE IN INCHES. REMOVE ALL BURRS AND BREAK SHARP EDGES. DEC. TOLERANCE:  
 XX = ±.060 UNO FRACTIONAL TOL. X/X = ±1/16  
 XXX = ±.020 UNO ANGULAR TOL. = ±1°  
 XXXX = ±.012 UNO  
 XXXXX = ±.008 UNO

**TOUCH INTERNATIONAL**  
 2222 West Rundberg Ln #100  
 Austin, Texas 78758  
 512-832-8292

**SENSOR RES. 4W**  
 15.0 DIAG

- NOTES:**
1. TOPSHEET FINISH: ANTI-GLARE
  2. SPACER DOTS: .006 [1.5] X .160 [4.06] SPACING, PEN/FINGER INPUT (NOT SHOWN)
  3. TOTAL THICKNESS: .083 [2.1] ±.006 [1.5]
  4. FLEXTAIL: DO NOT BEND TO LESS THAN 1/8" RADIUS
  5. MATING CONNECTOR: 1.25MM PITCH ZIF
  6. LABEL: SERIAL #, PART # / REV (FAR SIDE OF TAIL)
- LABEL: TI LABEL SPEC # 6600099 TYPE 1, SIZE SMALL (LOCATE APPROX. WHERE SHOWN)