

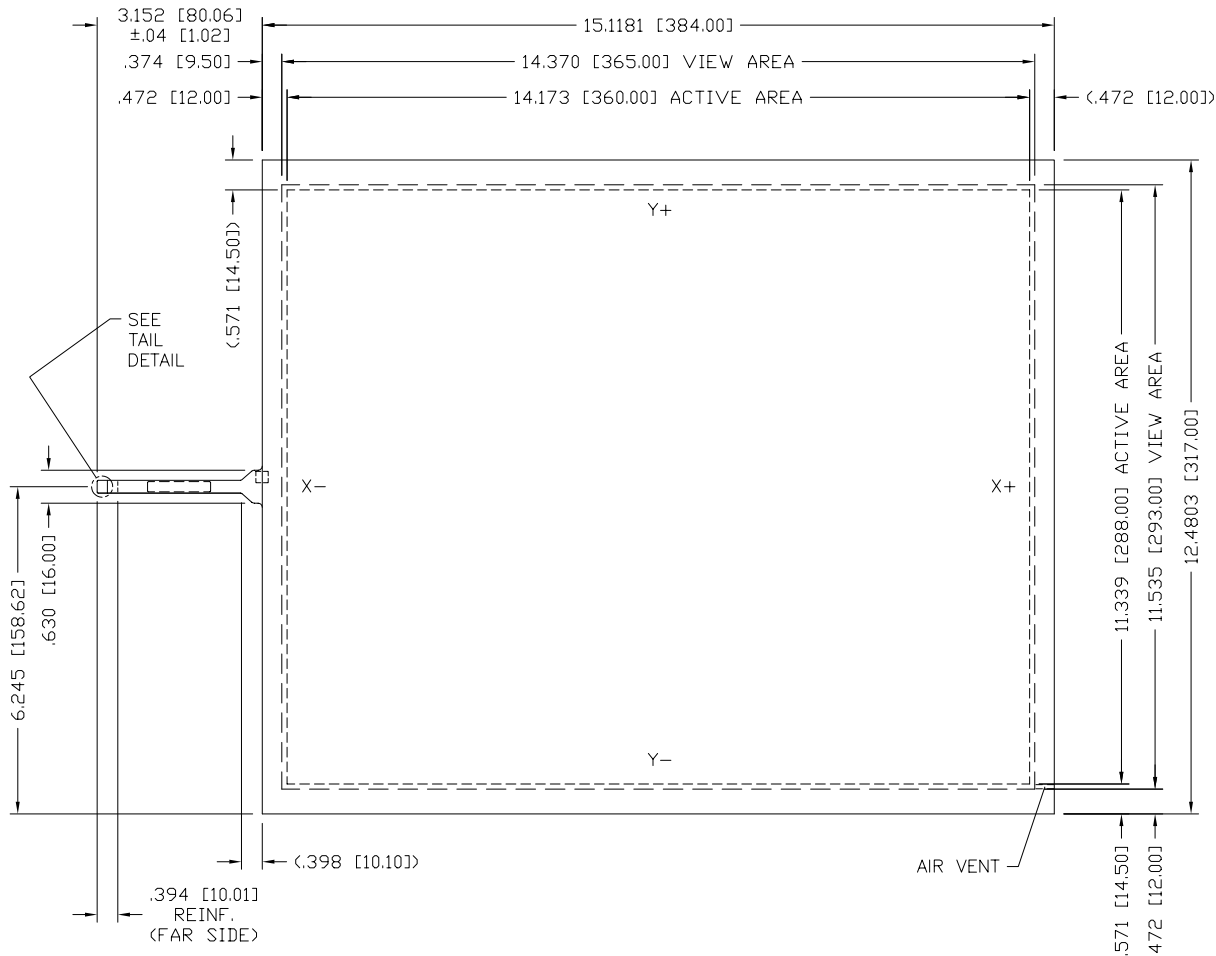
4

3

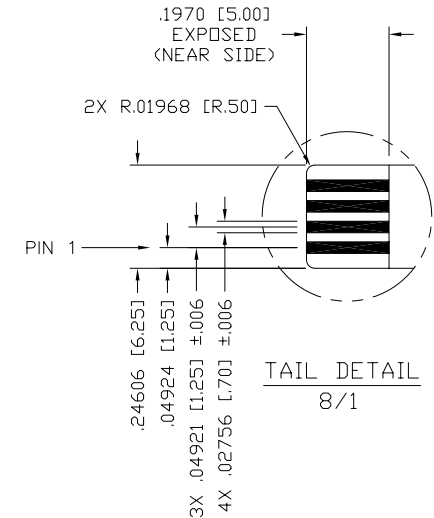
2

1

REV DESCRIPTION ECD # DFT CHK ENG DATE



STACK-UP

TAIL DETAIL
8/1

PINOUT	
PIN	DESCRIP
4	Y-
3	X+
2	Y+
1	X-

1	5		TAIL STRAIN RELIEF
1	4		TOPSHEET SUBASSY (AG)
1	3		TAIL SUBASSY .012 [0.3] THK @ EXPOSED
1	2		GASKET SUBASSY
1	1		BOTTOMSHEET SUBASSY .070 [1.8] THK
QTY	ITEM NO	PART NUMBER	DESCRIPTION

FINISHED PART #

NEXT ASSY #

DO NOT SCALE DRAWING !UNLESS OTHERWISE SPECIFIED, DIMENSIONS ARE IN INCHES.
REMOVE ALL BURRS AND BREAK SHARP EDGES.

DEC. TOLERANCE:

.XX = ±.060 UNO	FRAC. TOL. X/X = ±1/16
.XXX = ±.020 UNO	ANGULAR TOL. = ±1°
.XXXX = ±.012 UNO	
.XXXXX = ±.008 UNO	

NOTICE OF PROPRIETARY RIGHTS

THIS DOCUMENT, AND THE INFORMATION IT CONTAINS, IS PROPRIETARY TO TOUCH INTERNATIONAL. IT MUST NOT BE DUPLICATED, OR ITS CONTENTS USED OR DISCLOSED (IN WHOLE OR IN PART) WITHOUT WRITTEN PERMISSION FROM TOUCH INTERNATIONAL.



TOUCH INTERNATIONAL
2222 West Rundberg Ln #100
Austin, Texas 78758
512-832-8292

TITLE:

SENSOR RES 4W
18.1 DIAG

DRAWN DATE
JH 5/04

SCALE: NTS

SIZE

DWG. NO.

REV.

SHEET 1 OF 1

A

48-F-4-181-001

2.1

NOTES:

1. TOPSHEET FINISH: ANTI-GLARE
2. SPACER DOTS: .006 [.15] X .160 [4.06] SPACING, PEN/FINGER INPUT (NOT SHOWN)
3. TOTAL THICKNESS: .083 [2.1] ±.008 [.20]
4. FLEXTAIL: DO NOT BEND TO LESS THAN 1/8" RADIUS
5. MATING CONNECTOR: 1.25MM PITCH ZIF
6. LABEL: SERIAL#, PART# & REV. (FAR SIDE OF TAIL)

4

3

2

1

ACAD