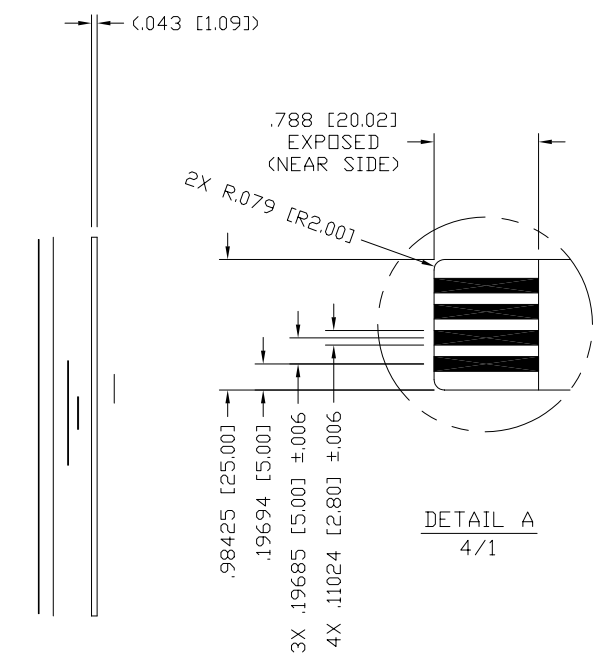
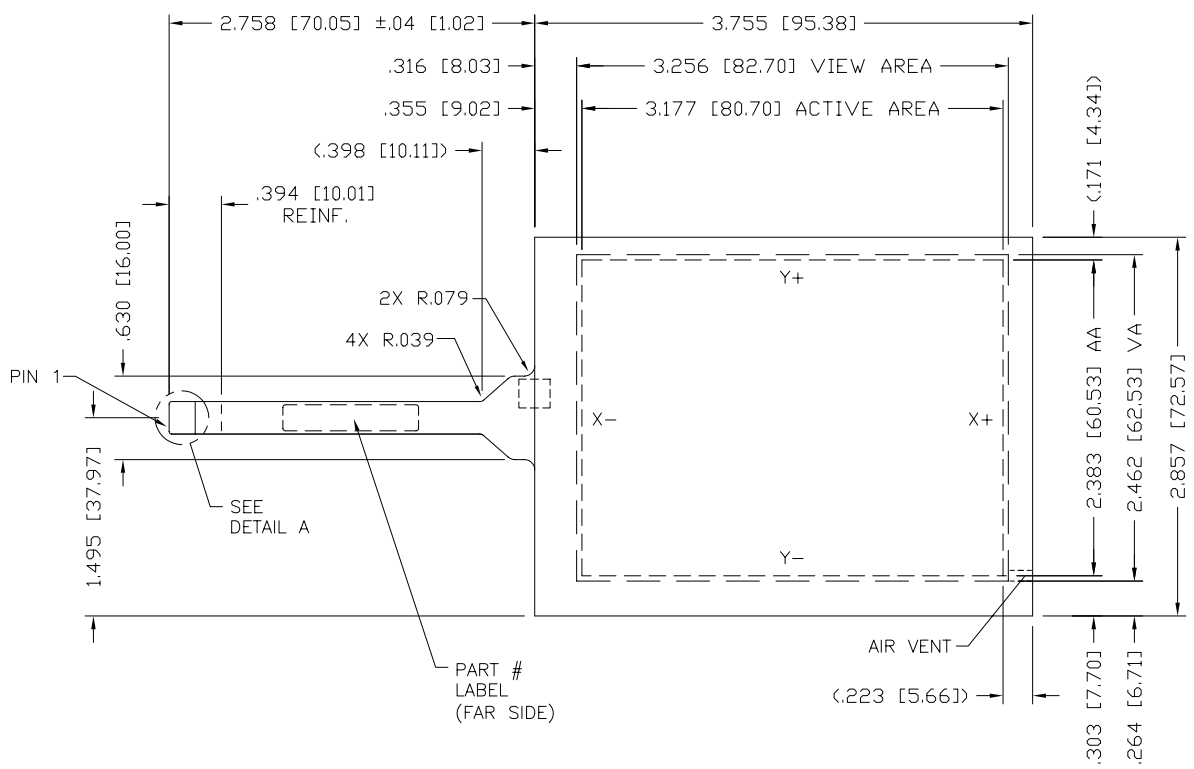
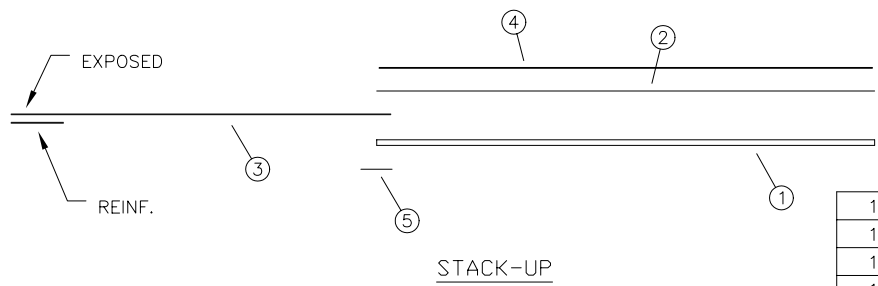


REV	DESCRIPTION	ECD #	DFT	CHK	ENG	DATE
-----	-------------	-------	-----	-----	-----	------




DETAIL A  
4/1



PINOUT	
PIN	DESCRIP
4	Y-
3	X+
2	Y+
1	X-

1	5		TAIL STRAIN RELIEF
1	4		TOPSHEET SUBASSY (AG)
1	3		TAIL SUBASSY .012 [0.3] THK @ EXPOSED
1	2		GASKET SUBASSY
1	1		BOTTOMSHEET SUBASSY .043 [1.1] THK
QTY	ITEM NO	PART NUMBER	DESCRIPTION

FINISHED PART #		NEXT ASSY #	
<b>DO NOT SCALE DRAWING !</b>			
UNLESS OTHERWISE SPECIFIED, DIMENSIONS ARE IN INCHES. REMOVE ALL BURRS AND BREAK SHARP EDGES.			
DEC. TOLERANCE:			
.XX = ±.060 UNO	FRAC. TOL. X/X = ±1/16		
.XXX = ±.020 UNO	ANGULAR TOL. = ±1°		
.XXXX = ±.012 UNO			
.XXXXX = ±.008 UNO			
NOTICE OF PROPRIETARY RIGHTS			
THIS DOCUMENT, AND THE INFORMATION IT CONTAINS, IS PROPRIETARY TO TOUCH INTERNATIONAL. IT MUST NOT BE DUPLICATED, OR ITS CONTENTS USED OR DISCLOSED (IN WHOLE OR IN PART) WITHOUT WRITTEN PERMISSION FROM TOUCH INTERNATIONAL.		<b>TOUCH INTERNATIONAL</b> 2222 West Rundberg Ln #100 Austin, Texas 78758 512-832-8292	
DRAWN DATE JH 5/04		TITLE: SENSOR RES 4W 4.0 DIAG	
SCALE: NTS	SIZE A	DWG. NO. 48-F-4-40-001	REV. 2.1
SHEET 1 OF 1			

- NOTES:
1. TOPSHEET FINISH: ANTI-GLARE
  2. SPACER DOTS: .006 [.15] X .160 [4.06] SPACING, PEN/FINGER INPUT (NOT SHOWN)
  3. TOTAL THICKNESS: .055 [1.4] ±.006 [.15]
  4. FLEXTAIL: DO NOT BEND TO LESS THAN 1/8" RADIUS
  5. MATING CONNECTOR: 1.25MM PITCH ZIF

D

D

C

C

B

B

A

A