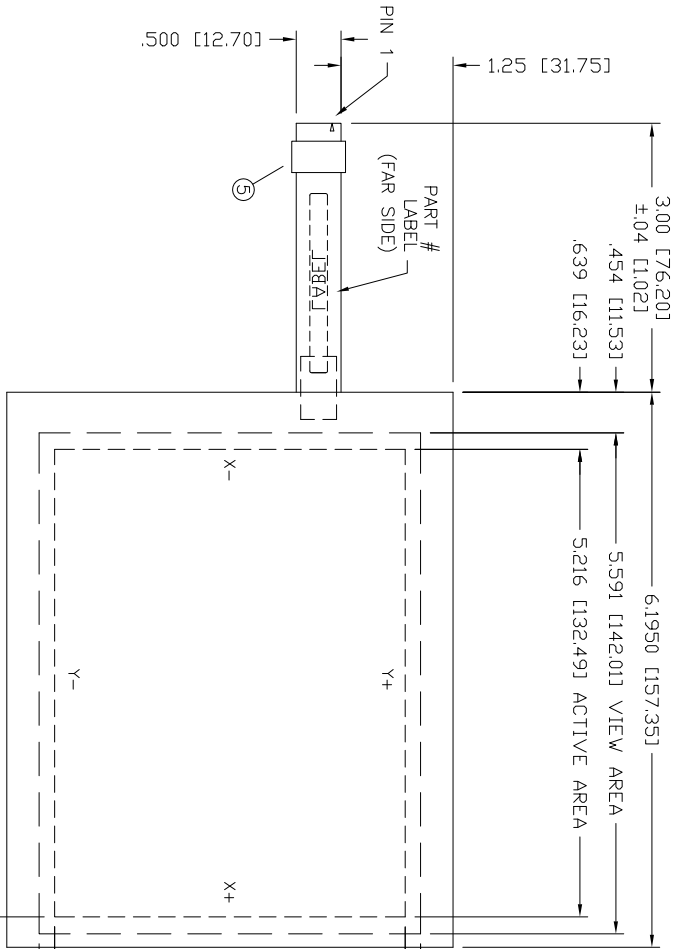
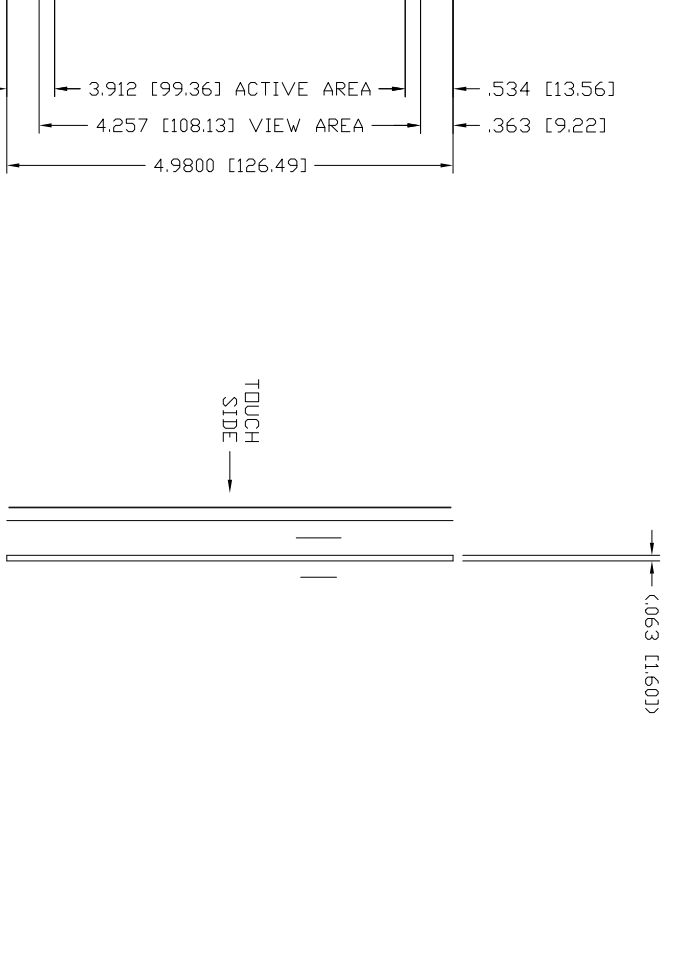
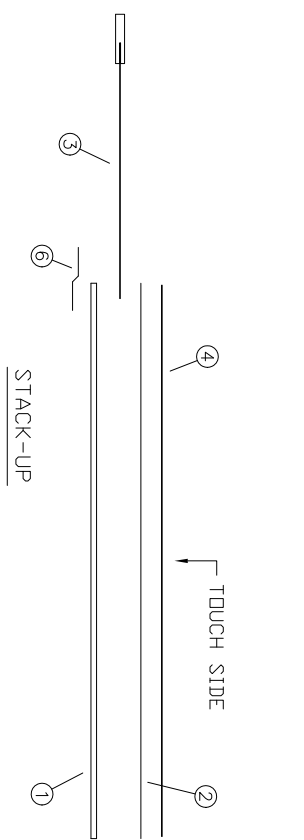


REV	DESCRIPTION	ECD #	DFT	CHK	ENG	DATE
ADDED LABELING SPECIFICATIONS (NOTE 6)			MA			12/7/07



'TOUCH SIDE' VIEW



STACK-UP
<CONNECTOR NOT SHOWN>

PIN	PINOUT	DESCRIP	TOP	BOTTOM
1	Y+		TOP	
2	Y-		LEFT	
3	X-			RIGHT
4	X+			

QTY	ITEM NO	PART NUMBER	DESCRIPTION	FINISHED PART #
1	6		TAIL STRAIN RELIEF	
1	5		CONNECTOR	
1	4		TOPSHEET SUBASSY (AG)	.007 [1.8] THK
1	3		TAIL SUBASSY	
1	2		GASKET SUBASSY	
1	1		BOTTOMSHEET SUBASSY (GLASS)	.063 [1.6] THK

DO NOT SCALE DRAWING!
UNLESS OTHERWISE SPECIFIED, DIMENSIONS ARE IN INCHES.
REMOVE ALL BURRS AND BREAK SHARP EDGES.
DEC. TOLERANCE:
.XX = ±.060 UNO FRACTIONAL X/X = ±1/16
.XXX = ±.020 UNO
.XXXX = ±.012 UNO ANGULAR TOL. = ±1°
XXXXX = ±.008 UNO

NOTICE OF PROPRIETARY RIGHTS
THIS DOCUMENT, AND THE INFORMATION IT CONTAINS, IS PROPRIETARY TO TOUCH INTERNATIONAL. IT MUST NOT BE DUPLICATED, OR ITS CONTENTS USED OR DISCLOSED (IN WHOLE OR IN PART) WITHOUT WRITTEN PERMISSION FROM TOUCH INTERNATIONAL.

TOUCH INTERNATIONAL
2222 West Rundberg Ln #100
Austin, Texas 78758
512-832-8292

SENSOR RES 4W
6.5 DIAG

NOTES:

1. TOPSHEET FINISH: ANTI-GLARE
2. SPACER DOTS: .004 [1.0] X .140 [3.56] SPACING. PEN/FINGER INPUT (NOT SHOWN)
3. TOTAL THICKNESS: .074 [1.88] ±.006 [1.5]
4. FLEXTAIL: DO NOT BEND TO LESS THAN 1/8" RADIUS
5. CONNECTOR: CLINGER, .10 CENTERS, 4 POS, BERG 65801-004
6. LABEL: SERIAL#, PART# & REV. (FAR SIDE OF TAIL)
LABEL: TI LABEL SPEC # 6600099 TYPE 2, STANDARD (LOCATE APPROX. WHERE SHOWN)