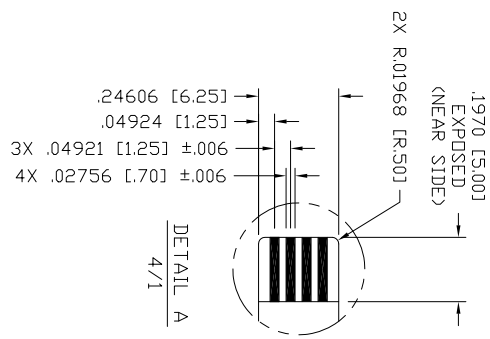
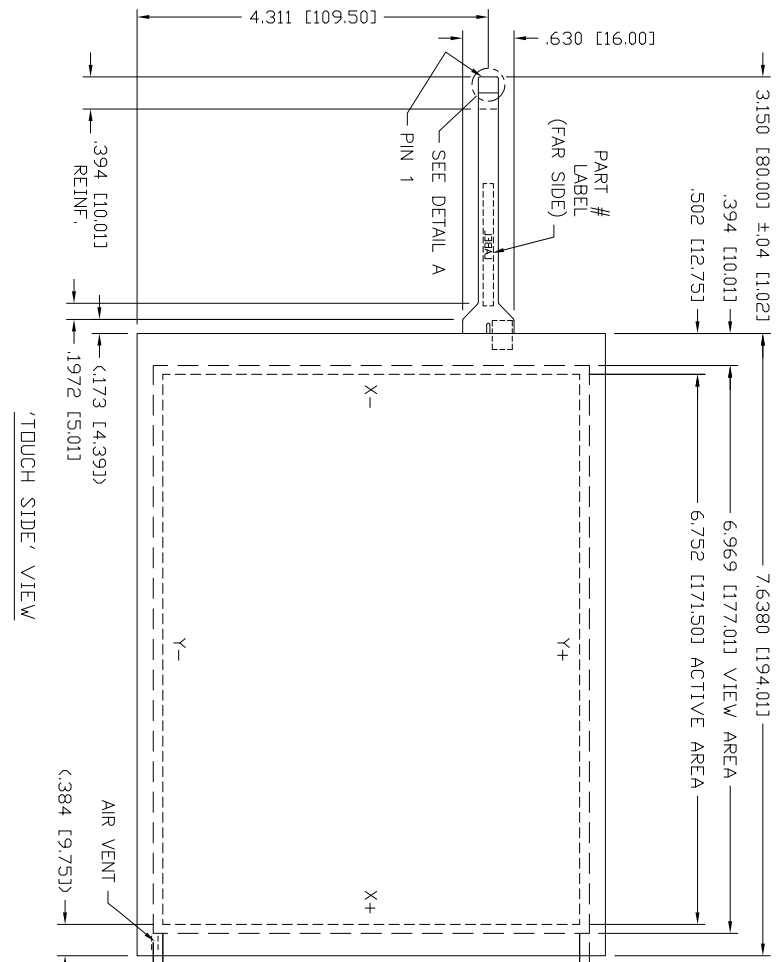


REV	DESCRIPTION	ECD #	DFT	CHK	ENG	DATE
ADDED LABEL SPECIFICATION (NOTE 6)			MA			12/7/07



PINOUT	PIN	DESCRIP
Y-	4	Y-
X+	3	X+
Y+	2	Y+
X-	1	X-

QTY	ITEM NO	PART NUMBER	DESCRIPTION
1	5		TAIL STRAIN RELIEF
1	4		TOPSHEET SUBASSY (AG)
1	3		TAIL SUBASSY
1	2		GASKET SUBASSY
1	1		BOTTOMSHEET SUBASSY (GLASS)

FINISHED PART #	DO NOT SCALE DRAWING!	UNLESS OTHERWISE SPECIFIED, DIMENSIONS ARE IN INCHES. REMOVE ALL BURRS AND BREAK SHARP EDGES. DEC. TOLERANCE:	FRAC. TOL.	X/X = ±1/16	ANGULAR TOL. = ±1°
			.XX = ±0.060 UNO	.XXX = ±0.020 UNO	.XXXX = ±0.012 UNO
			NOTICE OF PROPRIETARY RIGHTS THIS DOCUMENT, AND THE INFORMATION IT CONTAINS, IS PROPRIETARY TO TOUCH INTERNATIONAL. IT MUST NOT BE DUPLICATED, OR ITS CONTENTS USED OR DISCLOSED (IN WHOLE OR IN PART) WITHOUT WRITTEN PERMISSION FROM TOUCH INTERNATIONAL.		
			DRAWN DATE: R. Johnson 5/04 SCALE: NTS SHEET 1 OF 1		
			TITLE: TOUCH INTERNATIONAL 2222 West Rundberg Ln #100 Austin, Texas 78758 512-832-8292 SENSOR RES 4W 8.4 DIAG		

NOTES:

1. TOPSHEET FINISH: ANTI-GLARE
 2. SPACER DOTS: .006 [0.15] X .160 [4.06] SPACING, PEN/FINGER INPUT (NOT SHOWN)
 3. TOTAL THICKNESS: .083 [2.11] ±0.006 [0.15]
 4. FLEXTAIL: DO NOT BEND TO LESS THAN 1/8" RADIUS
 5. MATING CONNECTOR: 1.25MM PITCH ZIF
 6. LABEL: SERIAL#, PART# & REV. (FAR SIDE OF TAIL)
- LABEL: TI LABEL SPEC # 6600099 TYPE 1, SIZE SMALL (LOCATE APPROX. WHERE SHOWN)