

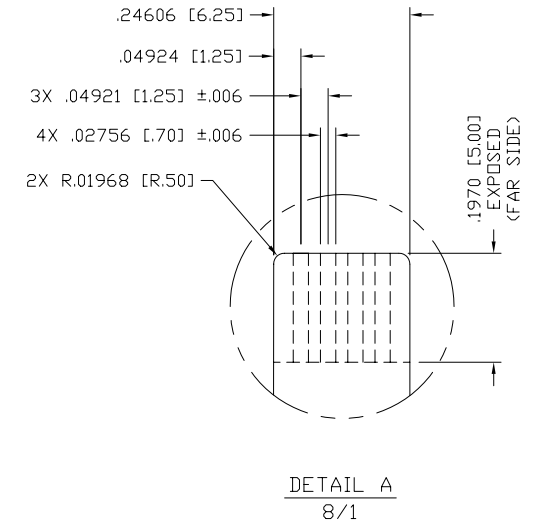
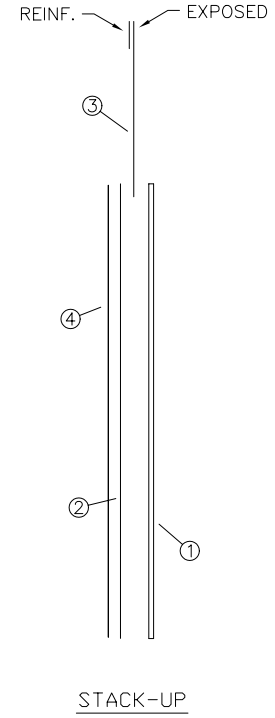
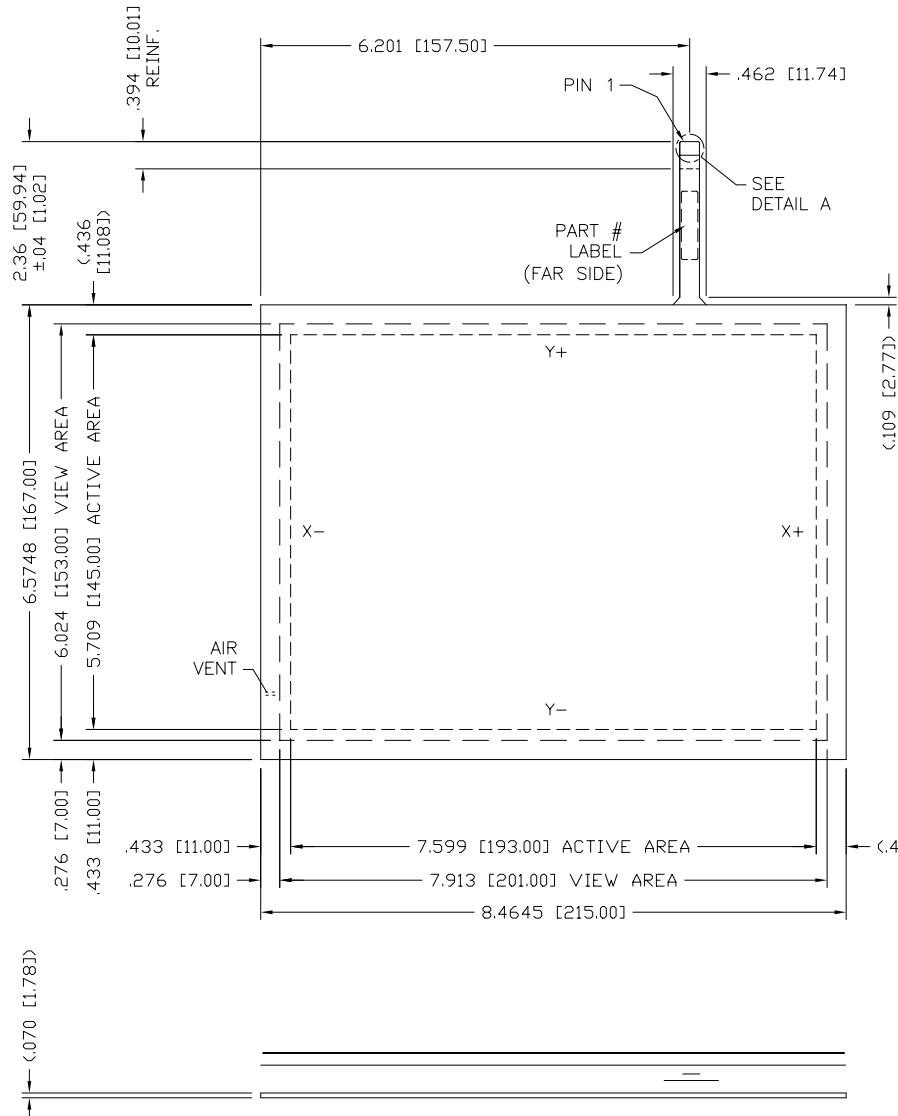
4

3

2

1

| REV | DESCRIPTION | ECD # | DFT | CHK | ENG | DATE |
|-----|-------------|-------|-----|-----|-----|------|
|-----|-------------|-------|-----|-----|-----|------|



DETAIL A
8/1

| PINOUT | |
|--------|---------|
| PIN | DESCRIP |
| 1 | X- |
| 2 | Y+ |
| 3 | X+ |
| 4 | Y- |

STACK-UP

| | | | |
|---|---|--|---------------------------------------|
| 1 | 4 | | TOPSHEET SUBASSY (AG) |
| 1 | 3 | | TAIL SUBASSY .012 [0.3] THK @ EXPOSED |
| 1 | 2 | | GASKET SUBASSY |
| 1 | 1 | | BOTTOMSHEET SUBASSY .070 [1.8] THK |

| QTY | ITEM NO | PART NUMBER | DESCRIPTION |
|-----|---------|-------------|-------------|
|-----|---------|-------------|-------------|

| | |
|-----------------|-------------|
| FINISHED PART # | NEXT ASSY # |
|-----------------|-------------|

DO NOT SCALE DRAWING !
 UNLESS OTHERWISE SPECIFIED, DIMENSIONS ARE IN INCHES. REMOVE ALL BURRS AND BREAK SHARP EDGES.
 DEC. TOLERANCE:
 .XX = ±.060 UNO FRAC. TOL. X/X = ±1/16
 .XXX = ±.020 UNO ANGULAR TOL. = ±1°
 .XXXX = ±.012 UNO
 .XXXXX = ±.008 UNO



TOUCH INTERNATIONAL
 2222 West Rundberg Ln #100
 Austin, Texas 78758
 512-832-8292

NOTICE OF PROPRIETARY RIGHTS
 THIS DOCUMENT, AND THE INFORMATION IT CONTAINS, IS PROPRIETARY TO TOUCH INTERNATIONAL. IT MUST NOT BE DUPLICATED, OR ITS CONTENTS USED OR DISCLOSED (IN WHOLE OR IN PART) WITHOUT WRITTEN PERMISSION FROM TOUCH INTERNATIONAL.

| | | | |
|------------------------|------|-------------------------------------|------|
| DRAWN DATE JH 10/04 | | TITLE: SENSOR RES 4W 9.4 DIAG | |
| SCALE: NTS | SIZE | DWG. NO. | REV. |
| SHEET 1 OF 1 | A | 48-F-4-94-001 | 2.1 |

- NOTES:
1. TOPSHEET FINISH: ANTI-GLARE
 2. SPACER DOTS: .002 [.05] X .160 [4.06] SPACING, PEN/FINGER INPUT (NOT SHOWN)
 3. TOTAL THICKNESS: .083 [2.1] ±.008 [.20]
 4. FLEXTAIL: DO NOT BEND TO LESS THAN 1/8" RADIUS
 5. MATING CONNECTOR: 1.25MM PITCH ZIF

4

3

2

1

ACAD