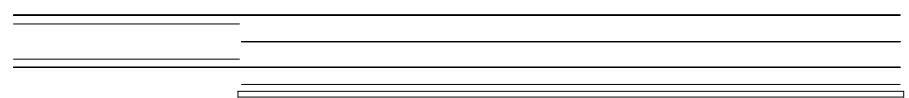
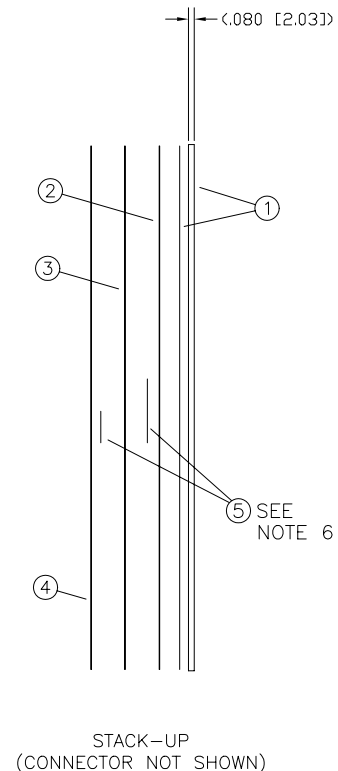
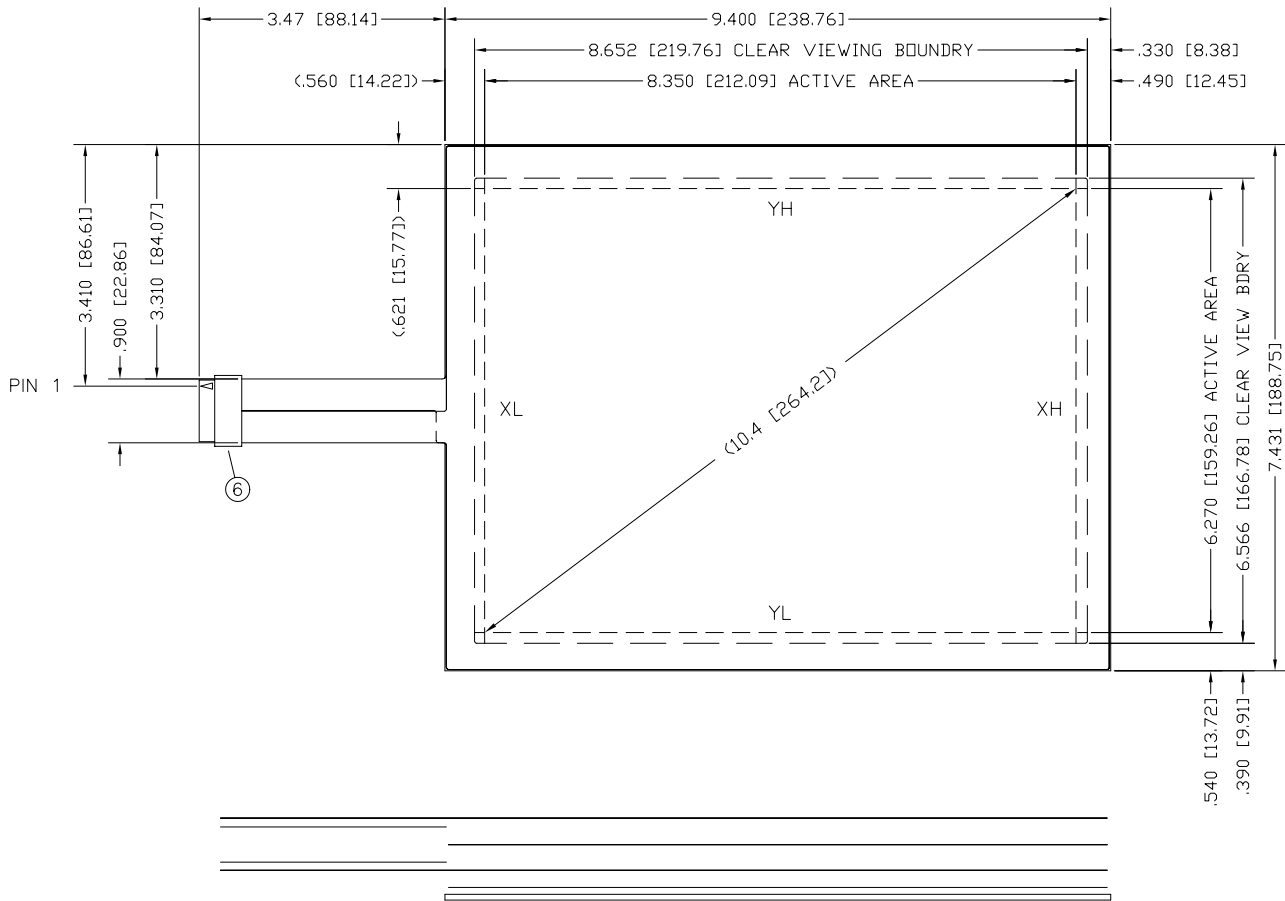


REV	DESCRIPTION	ECD #	DFT	CHK	ENG	DATE
-----	-------------	-------	-----	-----	-----	------




STACK-UP  
(CONNECTOR NOT SHOWN)

PINOUT	
PIN	DESCRIP
1	XH
2	XH SENSE
3	XL SENSE
4	XL
5	YH
6	YH SENSE
7	YL SENSE
8	YL

- NOTES:
1. SPACER DOTS: .004 [.10] DIA. X .140 [3.56] SPACING (PEN/FINGER INPUT) (NOT SHOWN)
  2. TOPSHEET FINISH: ANTIGLARE
  3. TOTAL THICKNESS: .100 [2.54] ±10%
  4. CONNECTOR: CLINCHER 8 POS .10 CTRS BERG 65801-008
  5. BACKER GLASS: CHEMICALLY STRENGTHENED
  6. KAPTON TAPE TO ISOLATE EXPOSED TRACES
  7. DO NOT BEND FLEXTAILS TO LESS THAN 1/4" RADIUS

1	6	2500117	CONNECTOR
A/R	5	8200100	KAPTON
1	4	ASD 6100104	TOPSHEET SUBASSY .007 THK
1	3	ASD 3700107	GASKET SUBASSY .004 THK
1	2	ASD 5800120	BOTTOMSHEET SUBASSY .007 THK
1	1	ASD 1900189	BACKER SUBASSY (W/ .002 LAM) (CS GLASS) .082 THK
QTY	ITEM NO	PART NUMBER	DESCRIPTION

FINISHED PART #		NEXT ASSY #	
<p><b>DO NOT SCALE DRAWING !</b>                  UNLESS OTHERWISE SPECIFIED, DIMENSIONS ARE IN INCHES.                  REMOVE ALL BURRS AND BREAK SHARP EDGES.                  DEC. TOLERANCE:                  .XX = ±.060 UNO    FRAC. TOL. x/x = ±1/16                  .XXX = ±.020 UNO    ANGULAR TOL. = ±1'                  .XXXX = ±.015 UNO                  .XXXXX = ±.008 UNO</p>			
<p>NOTICE OF PROPRIETARY RIGHTS</p> <p>THIS DOCUMENT, AND THE INFORMATION IT CONTAINS, IS PROPRIETARY TO TOUCH INTERNATIONAL. IT MUST NOT BE DUPLICATED, OR ITS CONTENTS USED OR DISCLOSED (IN WHOLE OR IN PART) WITHOUT WRITTEN PERMISSION FROM TOUCH INTERNATIONAL.</p>		 <p>TOUCH INTERNATIONAL                  2222 West Rundberg Ln #100                  Austin, Texas 78758                  512-832-8292</p>	
<p>DRAWN DATE R. Johnson 12/03</p>		<p>TITLE: SENSOR RES 8W 10.4 DIAG</p>	
SCALE: NTS	SIZE: A	DWG. NO. 48-F-8-104-007	REV. 2.0
SHEET 1 OF 1		ACAD	