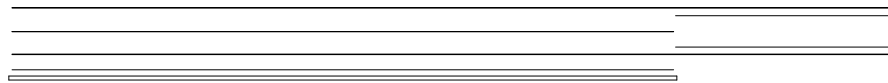
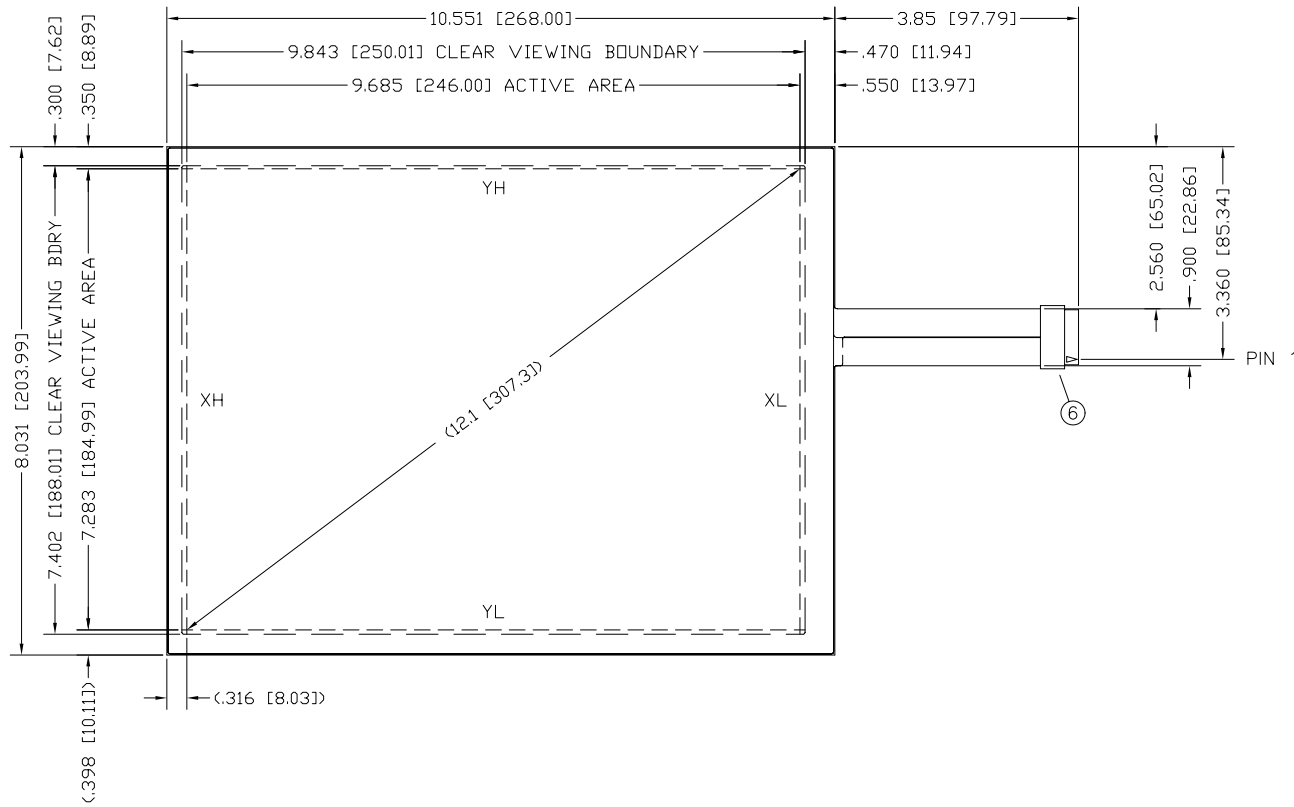


REV	DESCRIPTION	ECD #	DFT	CHK	ENG	DATE
-----	-------------	-------	-----	-----	-----	------



STACK-UP  
(CONNECTOR NOT SHOWN)

PINOUT	
PIN	DESCRIP
8	XL
7	XL SENSE
6	XH SENSE
5	XH
4	YH
3	YH SENSE
2	YL SENSE
1	YL

NOTES:

1. SPACER DOTS: .004 [.10] DIA. X .140 [3.56] SPACING (PEN/FINGER INPUT) (NOT SHOWN)
2. TOPSHEET FINISH: ANTIGLARE
3. TOTAL THICKNESS: .083 [2.1] ±10%
4. CONNECTOR: CLINCHER 8 POS .10 CTRS BERG 65801-008
5. BACKER GLASS: CHEMICALLY STRENGTHENED
6. KAPTON TAPE TO ISOLATE EXPOSED TRACES
7. DO NOT BEND FLEXTAILS TO LESS THAN 1/4" RADIUS

1	6	2500117	CONNECTOR
A/R	5	8200100	KAPTON
1	4	ASD 6100103	TOPSHEET SUBASSY .007 THK
1	3	ASD 3700105	GASKET SUBASSY .004 THK
1	2	ASD 5800119	BOTTOMSHEET SUBASSY .007 THK
1	1	ASD 1900175	BACKER SUBASSY (W/ .002 LAM) (CS GLASS) .065 THK
QTY	ITEM NO	PART NUMBER	DESCRIPTION

FINISHED PART #	NEXT ASSY #
-----------------	-------------

**DO NOT SCALE DRAWING !**  
 UNLESS OTHERWISE SPECIFIED, DIMENSIONS ARE IN INCHES.  
 REMOVE ALL BURRS AND BREAK SHARP EDGES.  
 DEC. TOLERANCE:  
 .XX = ±.060 UNO    FRAC. TOL. x/x = ±1/16  
 .XXX = ±.020 UNO  
 .XXXX = ±.015 UNO    ANGULAR TOL. = ±1°  
 .XXXXX = ±.008 UNO



**TOUCH INTERNATIONAL**  
 2222 West Rundberg Ln #100  
 Austin, Texas 78758  
 512-832-8292

**NOTICE OF PROPRIETARY RIGHTS**  
 THIS DOCUMENT, AND THE INFORMATION IT CONTAINS, IS PROPRIETARY TO TOUCH INTERNATIONAL. IT MUST NOT BE DUPLICATED, OR ITS CONTENTS USED OR DISCLOSED (IN WHOLE OR IN PART) WITHOUT WRITTEN PERMISSION FROM TOUCH INTERNATIONAL.

DRAWN DATE R. Johnson 12/03
SCALE: NTS
SHEET 1 OF 1

TITLE: <b>SENSOR RES 8W 12.1 DIAG</b>		
SIZE <b>A</b>	DWG. NO. <b>48-F-8-121-004</b>	REV. <b>2.0</b>