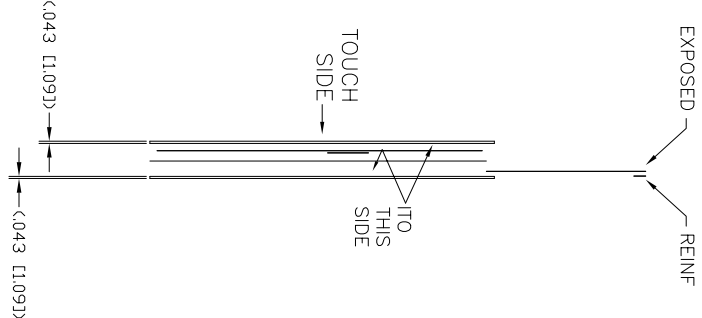
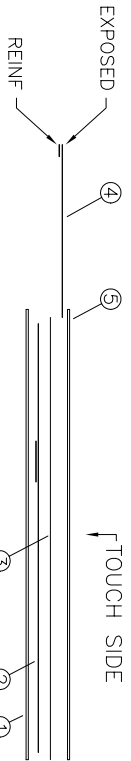
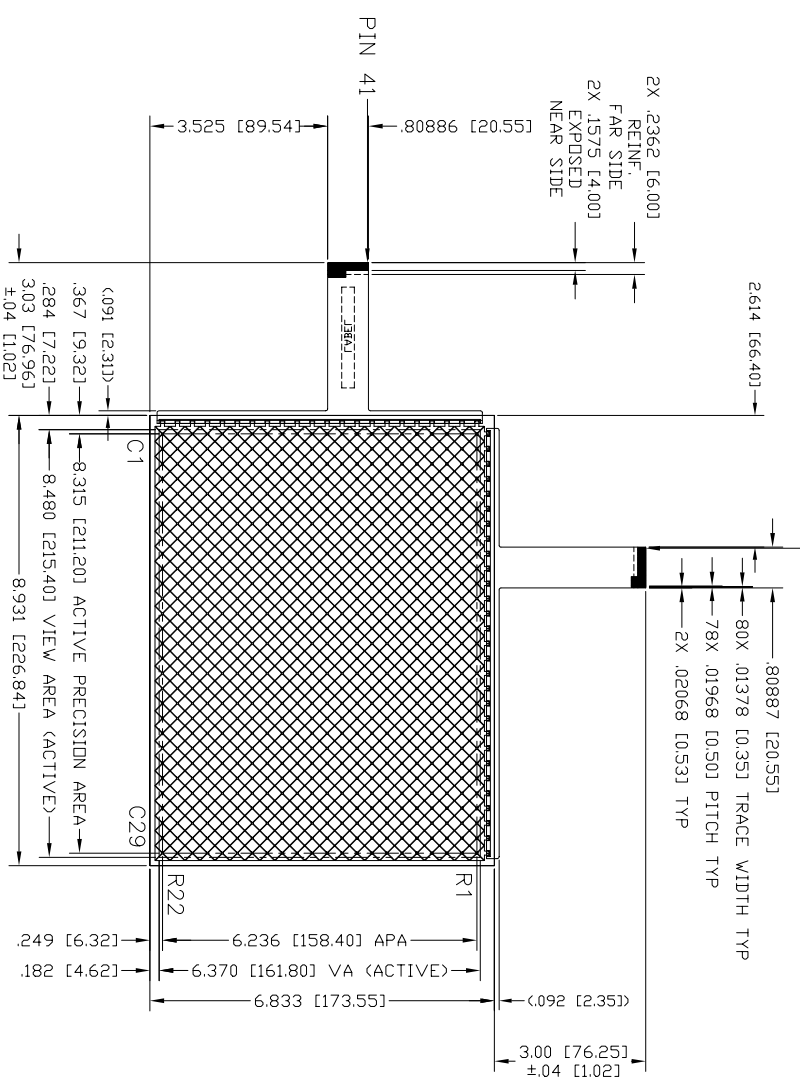


REV	DESCRIPTION	ECD #	DFT	CHK	ENG	DATE
CHC'D	SENSOR PART NUMBER: WAS: 54-F-PMC-104-004	N/A				9/2/09



PIN	DESCRIP	PIN	DESCRIP
1	COL 1	41	RDV 1
2	COL 2	42	RDV 2
3	COL 3	43	RDV 3
4	COL 4	44	RDV 4
5	COL 5	45	RDV 5
6	COL 6	46	RDV 6
7	COL 7	47	RDV 7
8	COL 8	48	RDV 8
9	COL 9	49	RDV 9
10	COL 10	50	RDV 10
11	COL 11	51	RDV 11
12	COL 12	52	RDV 12
13	COL 13	53	RDV 13
14	COL 14	54	RDV 14
15	COL 15	55	RDV 15
16	COL 16	56	RDV 16
17	COL 17	57	RDV 17
18	COL 18	58	RDV 18
19	COL 19	59	RDV 19
20	COL 20	60	RDV 20
21	COL 21	61	RDV 21
22	COL 22	62	RDV 22
23	COL 23	63	N/C
24	COL 24	64	N/C
25	COL 25	65	N/C
26	COL 26	66	N/C
27	COL 27	67	N/C
28	COL 28	68	N/C
29	COL 29	69	N/C
30	N/C	70	N/C
31	N/C	71	N/C
32	N/C	72	N/C
33	N/C	73	N/C
34	N/C	74	N/C
35	N/C	75	N/C
36	N/C	76	N/C
37	N/C	77	N/C
38	N/C	78	N/C
39	N/C	79	N/C
40	N/C	80	N/C

QTY	ITEM NO	PART NUMBER	DESCRIPTION
1	5	6100455	TSHEET SUBBASSY
1	4	7900391	TAIL SUBBASSY TSHEET (FPC)
1	3	3300102	OPTICALLY CLEAR ADHESIVE
1	2	7900390	TAIL SUBBASSY BSHEET (FPC)
1	1	5800484	BSHEET SUBBASSY

DO NOT SCALE DRAWING!  
 UNLESS OTHERWISE SPECIFIED, DIMENSIONS ARE IN INCHES.  
 REMOVE ALL BURRS AND BREAK SHARP EDGES.  
 DEC. TOLERANCE:  
 .XX = ± .060 UNO FRACTIONAL. X/X = ±1/16  
 .XXXX = ± .030 UNO  
 .XXXXX = ± .015 UNO ANGULAR TOL. = ±1'



TOUCH INTERNATIONAL  
 2222 West Rundberg Ln #100  
 Austin, Texas 78758  
 512-832-8292

SCALE	NTS	SIZE	PART NO. / DWG. NO.	REV.
SCALE: NTS		A	88-F-PMC-104-004	2.0

- NOTES:
1. SENSOR THICKNESS: .101 [2.57] ±10%
  2. TOUCH SURFACE: CLEAR
  3. LABEL: SERIAL NUMBER, PART NUMBER & REV. (FAR SIDE OF TAIL)
  4. LABEL: TI LABEL SPEC. #6600099, TYPE 2, SIZE STD (LOCATE APPROX WHERE SHOWN)
  5. TAIL THICKNESS: .0120 [3.11] ±.001 [0.026] @ EXPOSED AREA
  6. TAIL: DO NOT BEND TO LESS THAN 1/8" RADIUS
  7. REFERENCE DELIVERY SPECIFICATION 6500247
  8. SHEET AND BSHEET: .043 [1.1] GLASS
  9. ENVIRONMENTAL: ROHS COMPLIANT